

48th Annual Antiques Show

published Sept. 2016

Bay Village High School

February 25th - 26th, 2017

charity hosted by The Bay Village Women's Club Foundation

Dear Dealer:

You are invited to join us for our **February 2017 Antiques Show**. Normal attendance is about 1,000 over the 2 days and the entrance "donation" is \$5. The show focuses on antiques 50+ years, including refurbished and repurposed, but not "collectibles" or crafts. We also encourage dealers to promote any type of restoration services you provide.

Location is Bay Village High School - the cafeteria and adjoining hallways.

Times, rates and terms are in the enclosed contract.

Set-up is Friday night 4pm-7pm and **tear-down** is Sunday night until 8pm. Student porters will assist with dollies.

- Food:**
- ◆ Concession stand Sat.-Sun. during Show hours
 - ◆ Dealers' Hospitality Room - free coffee & tea
 - ◆ Friday set-up - free light meal for up to 2 persons per booth [note # of Friday meals on the contract]

We look forward to working with you toward another successful show.

Warm regards,

Nancy Trainer, Dealer Coordinator

440-334-7539 (cell or text)

NancyinBay@gmail.com

Future: At the Show we would like to discuss with you whether we should convert to a one day show in 2018. So start making notes on your thoughts and any advice on logistical changes this would entail. We value your input.

Booths

#29 - 35: The far wall (south side) has a counter (about 22" deep by about 40" high) with outlets for students' electronics. You can use the counter for light weight items.

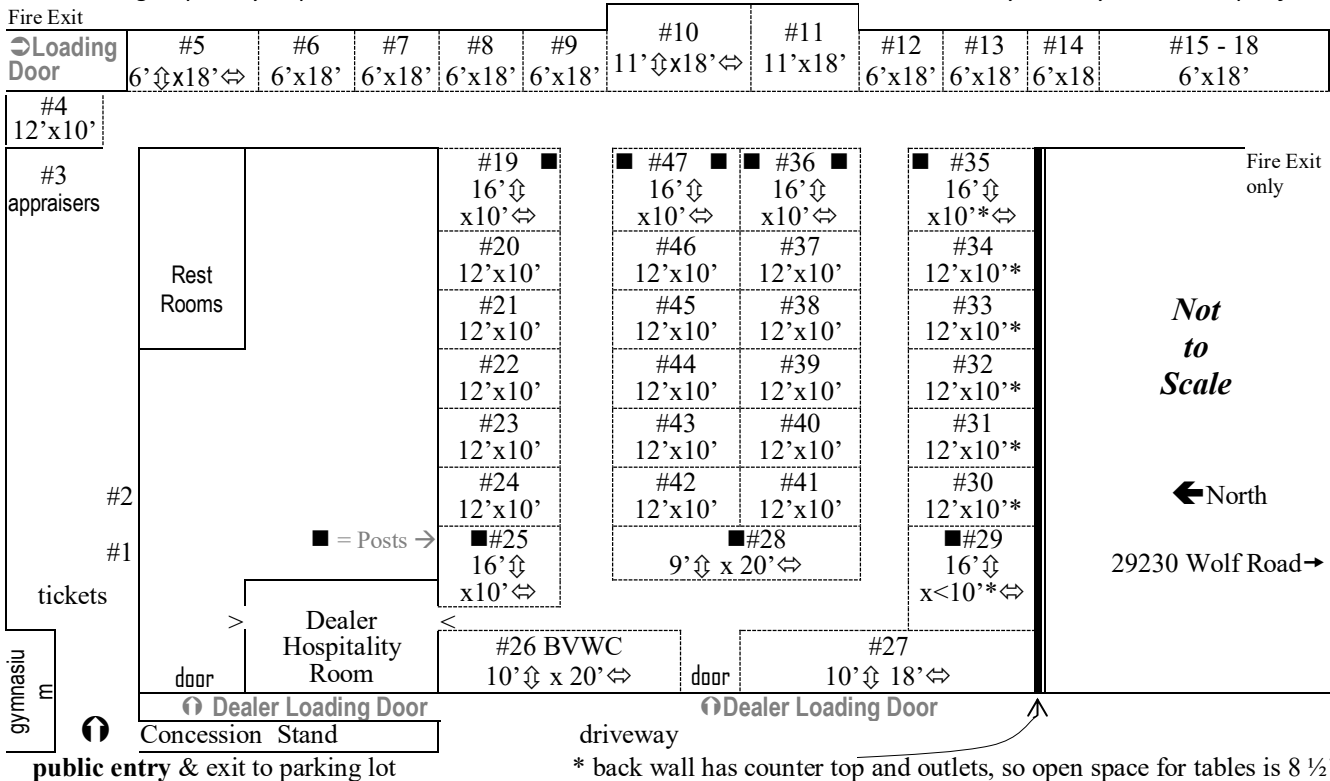
#10 & 11: There is a vending machine in each corner taking up about 3'x3'. We will cover the machines to preclude use.

General Layout

at Bay Village High School

for Feb. 2017

We give priority to past dealers. New dealers should select booth size and call in early January to discuss specifics.



public entry & exit to parking lot

* back wall has counter top and outlets, so open space for tables is 8 1/2'